

Aerohive AP110

802.11n single radio access point



The **Aerohive AP110** is ideal for deployments where a single radio (802.11a/b/g/n) solution is sufficient, such as small retail environments, telecommuters and branch offices.

AEROHIVE NETWORKS AP110 access points provide state-of-the-art high-performance 802.11n along with cloud-enabled management, on-demand provisioning, and application visibility and control.

The AP110 is ideal for deployments where a single radio (802.11a/b/g/n) solution is sufficient, such as small retail environments, telecommuters and micro branch offices. Single radio APs can also be effective in low-bandwidth-demand environments where the benefits of a second radio are small because there are few clients vying for airtime. The AP110 can operate in either band—2.4 GHz or 5GHz—providing the opportunity to use the less congested 5GHz band if the clients are all 5GHz capable. The AP110 is the best value option for small wireless footprint requirements.

Key Features and Benefits

Cooperative Control

All Aerohive access points are built upon the deep, feature rich HiveOS operating system. HiveOS is the backbone of the Aerohive Cooperative Control architecture, and allows the access points to organize into groups or “hives” that coordinate advanced features such as layer 2/ layer 3 roaming, cooperative RF management, security information, and mesh networking without requiring a controller. Cooperative Control provides all the benefits of coordinated, next-generation Wi-Fi with lower Total Cost of Ownership (TCO), more reliability, more scalability, higher performance, and with a focus on truly optimizing mobility in a mobile first enterprise.

High Performance, Secure Wi-Fi with On-Demand Provisioning

The Aerohive AP110 is a 2x2 802.11n single radio access point with integrated features such as RADIUS, 802.1X security, Captive Web Portal, and cloud-based management. By integrating with the Aerohive Cloud Services Platform, the AP110 can be brought online simply by plugging it in. It will automatically find the HiveManager, either in Aerohive’s public cloud or on a customer premises, download complete configuration, security, and corporate policies, and instantly provide service for connected devices.

Integrated Application Priority and Control

By using the robust Quality of Service (QoS) and stateful firewall built into Aerohive access points, the AP110 supports optimizing user application experience on the network. Aerohive access points allow an administrator to create customized user profiles based on context, such as identity of the user, device type, location, and time of day, to prioritize or block applications based on what is critical to that particular user. This user-focused approach ensures every user experience is optimized for mobility.

Warranty and Support

Every Aerohive Networks device is backed by a limited lifetime hardware warranty. Extended product and technical support may be purchased separately and can include next day advanced replacement, 24x7 or 8x5 technical support, web and email support access, and software updates. For complete support terms go to www.aerohive.com/support.



Aerohive Networks, Inc.

330 Gibraltar Drive
Sunnyvale, California 94089 USA
phone 408.510.6100
toll-free 866.918.9918
fax 408.510.6199

www.aerohive.com

Product Specifications

Mounting

- Desktop
- Wall Mount
- Ceiling Tile Clips

Physical Security

- Kensington security lock point

Single Dual Band Radio (a/b/g/n)

Radio Specifications—802.11a

- 5.150–5.850 GHz Operating Frequency
- Orthogonal Frequency Division Multiplexing (OFDM) Modulation
- 24 dBm Transmit Power
- Rates (Mbps): 54, 48, 36, 24, 18, 12, 9, 6 w/ auto fallback

Radio Specifications—802.11b

- 2.4–2.5 GHz Operating Frequency
- Direct-Sequence Spread-Spectrum (DSSS) Modulation
- 20 dBm Transmit Power
- Rates (Mbps): 11, 5.5, 2, 1 w/ auto fallback

Radio Specifications—802.11g

- 2.4–2.5 GHz Operating Frequency
- Orthogonal Frequency Division Multiplexing (OFDM) Modulation
- 22 dBm (100 mW) Transmit Power
- Rates (Mbps): 54, 48, 36, 24, 18, 12, 9, 6 w/ auto fallback

Radio Specifications—802.11n

- 2.4–2.5 GHz & 5.150–5.950 GHz Operating Frequency
- 802.11n Modulation
- 24 dBm Transmit Power
- Rates (Mbps): MCS0 - MCS15 (6.5Mbps - 300Mbps)
- 2x2 Multiple-In, Multiple-Out (MIMO) Radio
- HT20 and HT40 High-Throughput (HT) Support
- A-MPDU and A-MSDU Frame Aggregation

Antennas

- 2x Integrated dual band 2.4-2.5 and 5.1-5.8 GHz Omnidirectional antennas, 4.0 dBi gain@2.4GHz, 2.0 dBi gain@5GHz

Interfaces

- Autosensing 10/100/1000 Base-T Ethernet Port
- Power over Ethernet (PoE) capable (802.3af) Ethernet Port
- 1x Reset Pinhole

Physical

- WxHxD: 6.5 x 6.5 x 2 in. (16.51 x 16.51 x 5.08 cm)
- 1.75 lbs (0.8 kg)

Environmental

- Operating: -0 to +40°C, Storage: -40 to +85°C
- Humidity: 95%

Environmental Compliance

- UL 2043 (Plenum)

Power Options

- 802.3af Power over Ethernet (PoE) port
- 48v DC external power adapter (sold separately)

Power Specification

- AC/DC power adapter:
 - Input: 100–240 VAC
 - Output: 48 V/0.625 A
- PoE nominal input voltages: 48 V, 0.35A (802.3af)
- Typical power consumption: 7w
- RJ-45 power input pins: Wires 4, 5, 7, 8 or 1, 2, 3, 6

Receive Sensitivity

At Highest Datarate

Standard	Sensitivity
802.11b	-87
802.11g	-76
802.11n (2.4) 20 MHz	-73
802.11n (2.4) 40 MHz	-71

Features & Benefits

Flexible Hardware Platform

- Single radio provides support of 802.11a/n or 802.11b/g/n connections with no degradation in performance
- Automatic or dedicated mesh backup
- Plenum Rated APs for indoor, office environments
- Supports 802.3af PoE or a standard power adapter

Innovative Design

- Low profile design blends well into an office environment
- Feature optimized hardware design
- Low-distraction indicators appear as gently glowing rather than bright blinking lights

Advanced Features

- Integrated application control and prioritization
- On-device RADIUS with directory support, Captive Web Portal, DHCP server, and spectrum analysis

Hardware Assisted Features

Security

- Trusted Platform Module (TPM)–Hardware-based key storage and encryption
- Wireless privacy & authentication Wi-Fi CERTIFIED™ WPA™ and WPA2™, 802.11i, WEP, 802.1x, PSK
- Granular user profile-based management defines QoS, mobility policies, and security policies for each user that enters the network
- Encryption: AES:CCMP, TKIP, and RC4 (WEP only)
- Wireless Intrusion Prevention System scanning on both bands including DFS channels

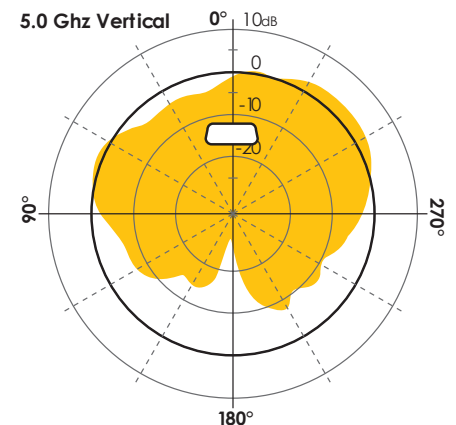
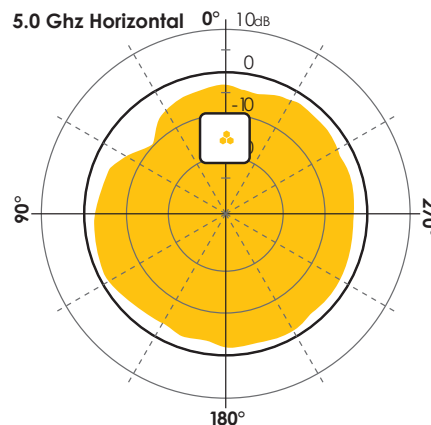
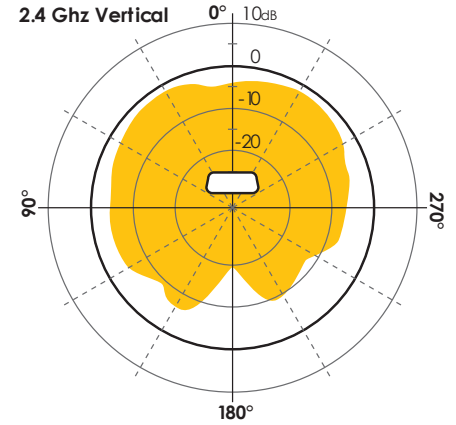
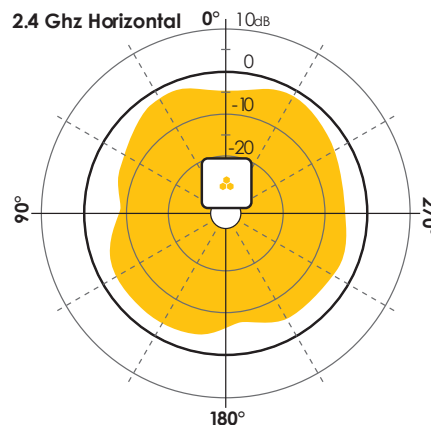
HW QoS Features

- Marking and policing–WMM™ (802.11e) for wireless, 802.1p and/or DiffServ
- Wi-Fi CERTIFIED WMM
- WMM power save (U-APSD)

Anti-Theft

- Designed to work with Kensington-style locks
- Tamper-proof security screw (with bracket option)

RF Coverage Maps



SKU	Description
APs	
AH-AP-110-N-FCC	Aerohive AP110, Plenum Rated, one 802.11a/b/g/n radio, one 10/100/1000 Ethernet (PoE), FCC regulatory domain w/o power supply
AH-AP-110-N-W	Aerohive AP110, Plenum Rated, one 802.11a/b/g/n radio, one 10/100/1000 Ethernet (PoE), configurable regulatory domain w/o power supply
AP Accessories	
AH-ACC-PWR-30W-US, -UK, -EU	30W Power Supply w/ power cord for US, UK, EU
AH-ACC-INJ-20W-US, -UK, -EU	20W POE power injector for AP100 series for US, UK, EU
AH-ACC-PWR-CBL-US, -UK, -EU	Power Cord for US, UK, EU
AH-ACC-BKT-120	AP120/110 wall and ceiling mounting bracket with security screw